

Multi-Stage Process Washer



Col-Met's Multi-Stage Washer Systems have been designed in conjunction with chemical suppliers to assure they meet the standards associated with the latest in chemical pretreatment technology. Together, we have designed our washers around minimizing maintenance and increasing machine life. They have been designed with the necessary stiffeners and structure support for the conveyor. A sloped roof design allows condensed water to run down the side walls and away from any parts.



Our Col-Met skilled engineers will design a conveyor pass-through system specific to your needs, taking into consideration the size of the parts and the time allotted for the parts to pass through the washer.

Features

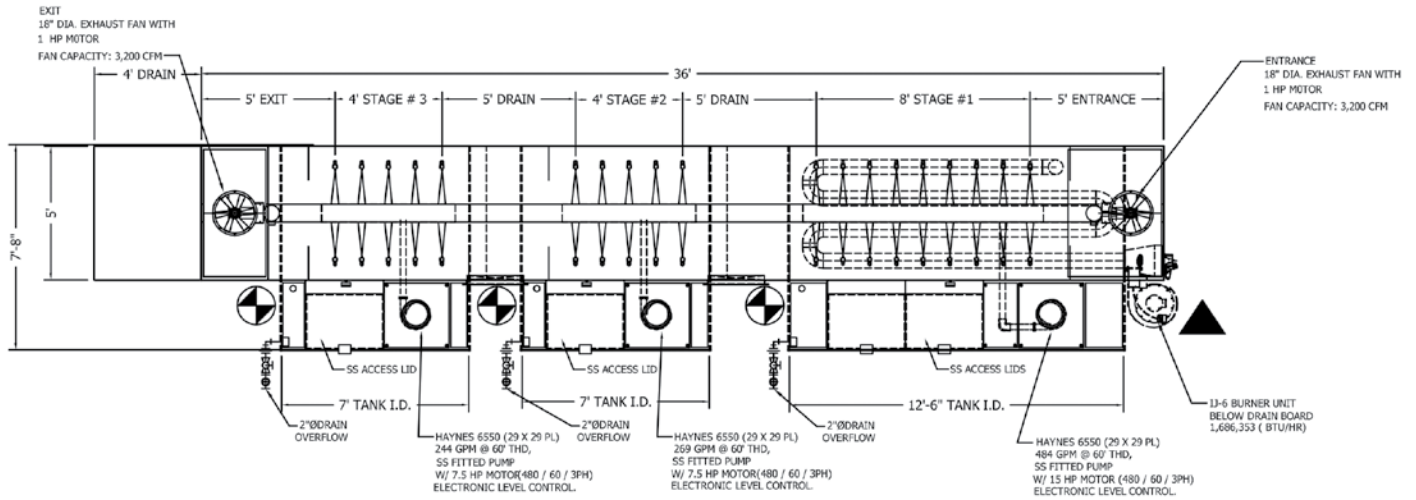
- Col-Met's process washers are designed with solution pumps that are top lift-out, vertical mount pumps with a semi-open impeller.
- The "C" Face motor eliminates any field coupling and alignment problems and provides easy maintenance.
- A heavy cast frame supports bearing completely above the tank. Agreeable bearings are protected from fluid and vapors by cover plate and vapor seal.
- Washers are reinforced by a continuous pitched grill under the washer tank and angle stiffeners inside the tank walls. Stainless steel 2" x 2" x 1/4" support angles frame all tank lids and pump plates.
- Each process washer utilizes a nozzle-mix tube-firing burner designed to fire at high velocities through small-diameter, 10 stainless steel serpentine immersion tubes. The combustion gases from the burner scrub the inner tube surface and produce high heat transfer rates. These features allow for system efficiencies of 75% to 80%.
- Tank Turn Rating 3 to 1 minimum.
- All Pump Motors are variable frequency drive (VFD) to better control the nozzle pressure.
- Stages manufactured with water level control to maintain acceptable quality in the recirculated solution.
- Low water safety switch installed on all heated stages to protect the burner tubing.
- Washers manufactured by Col-Met meet and/or exceed all applicable OSHA and NFPA regulations.



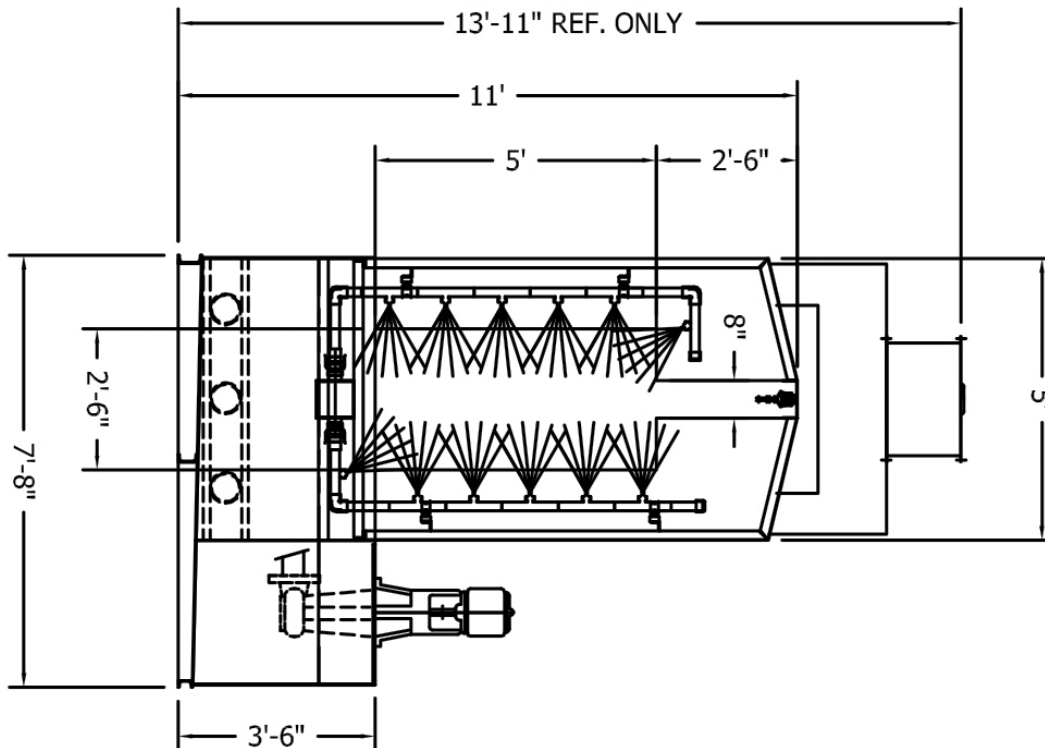
Options

- Counter Flow Piping
- Flow Meters
- Oil Skimmers
- Blow-off Fans
- Misting risers
- Bag Filters
- Chemical Feed Equipment
- Insulated tanks

Multi-Stage Process Washer



Plan View



Exit View

